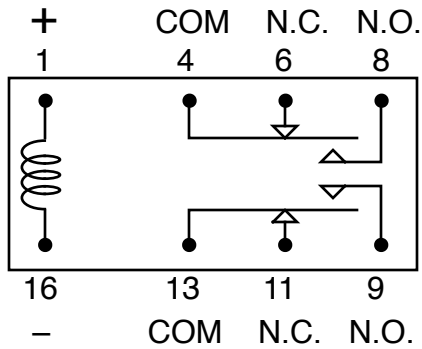


# Pinouts of DIP relays available for EE459 projects

View is of the **bottom of relay**, as would be seen from the **wiring side** of the board

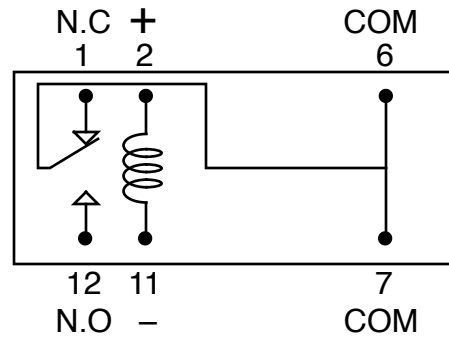
## DS2Y-S-DC5V

(DPDT)



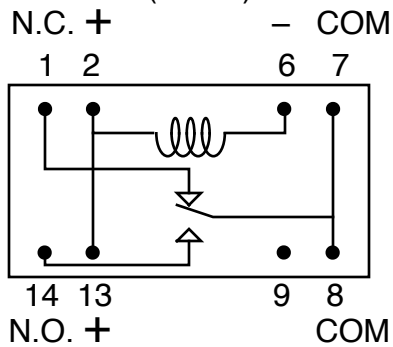
## HK411F-DC5V-SHG

(SPDT)



## D1C05C

(SPDT)



## D2A05A

(DPST)

