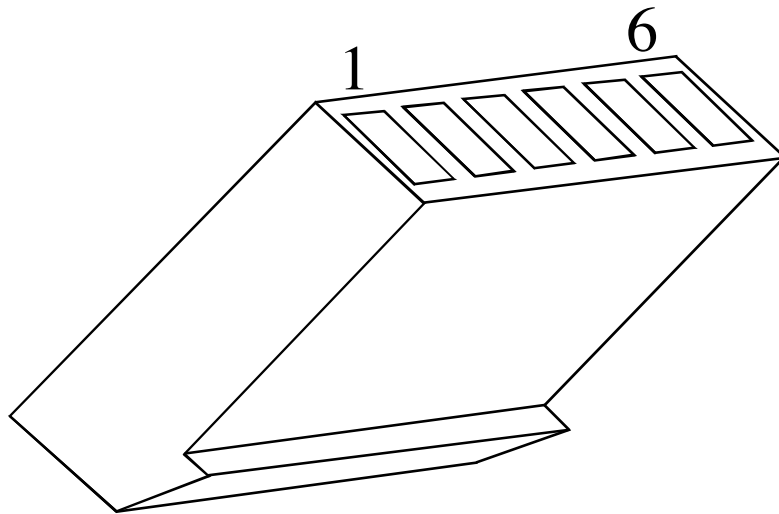


Connector wiring diagram for Garmin GPS modules

1	Yellow	Pulse output
2	Red	Vin (+5 volts)
3	Black (thin)	Ground
4	White	Transmit data (coming from GPS)
5	Black (thick)	Ground
6	Green	Receive data (going to GPS)

For most users, only pins 2, 3, 4 and 5 are needed.



Molex 6-pin KK connector