

# Design Review

Team 4: Devan Adhia, Harrison Getter, Thomas Weaver, Jiawei Fan



# Overview

Building a “smart” ski helmet that will let you communicate (hands-free) with your friends while skiing.

# Features

- GPS tracking of the helmet
- Pre-loaded ski slope GPS maps to identify which slope a user's helmet is on
- Radio transmission and receiving for connecting multiple helmets together (up to four helmets in a "family" of helmets)
- Find out where your friends are (*"Friend number one is on slope x"*)
- CO sensor
- Bluetooth audio playback\*
- Walkie-talkie communication\*

\* indicates extra 20% which will be difficult to implement but included in product

# Inputs

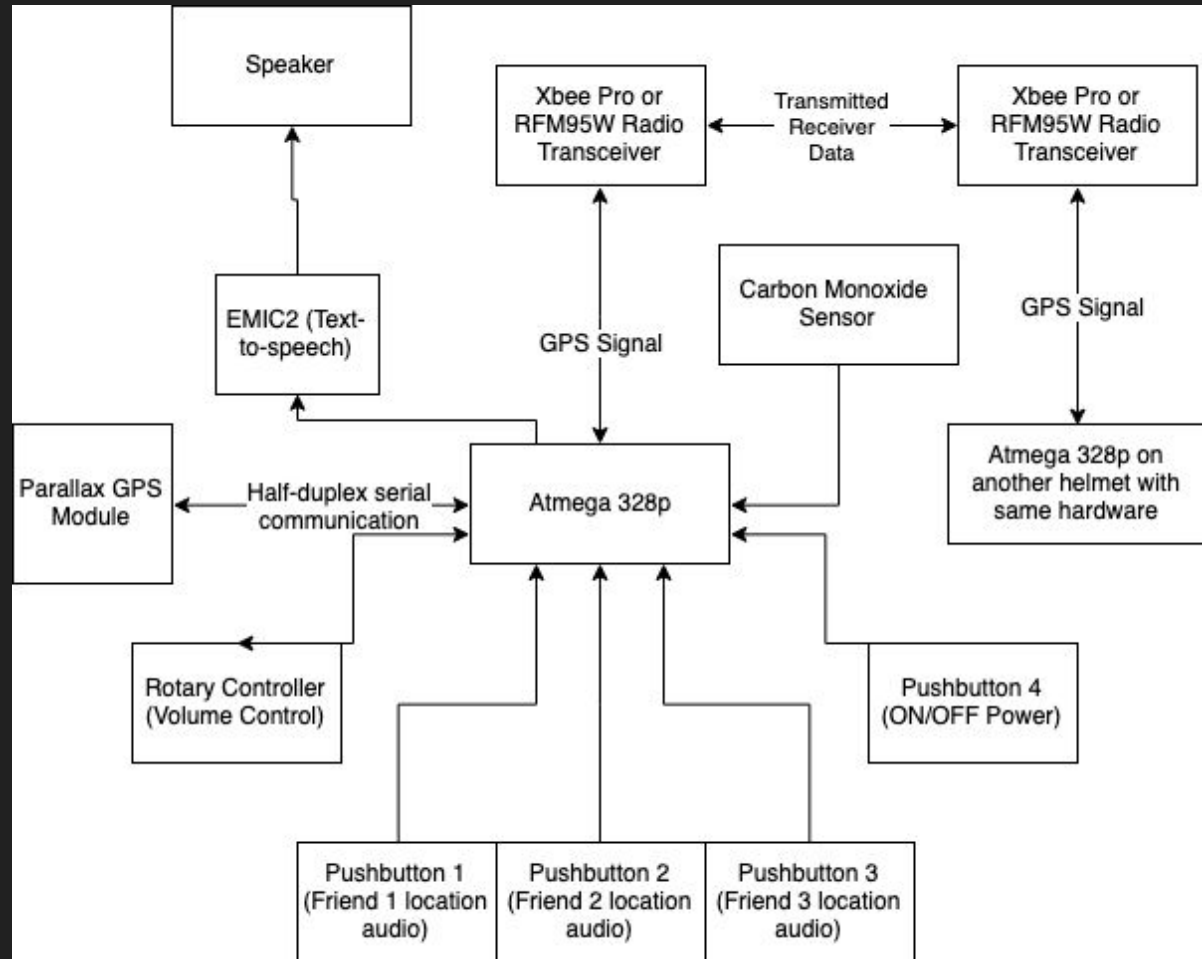
1. Buttons for friend alerts (helmets in the same family)
2. GPS data
3. Radio receiver
4. CO sensor
5. Volume control
6. Microphone for speech transmit/receive
7. Button for slope alerts (general news and information)

\* indicates input necessary for extra 20% feature

# Outputs

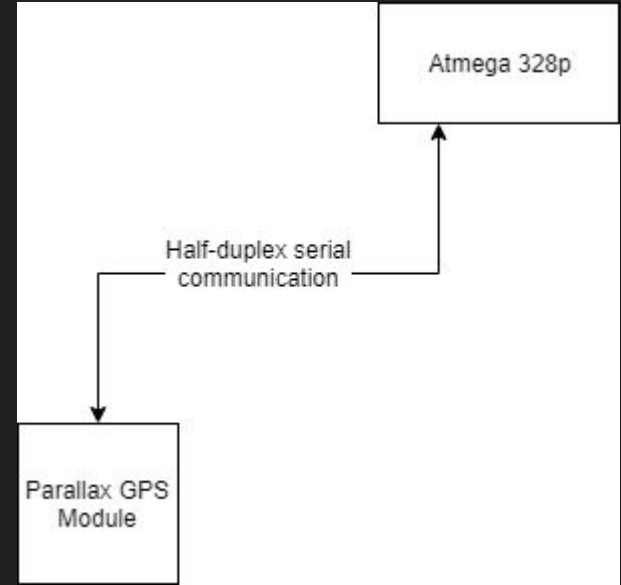
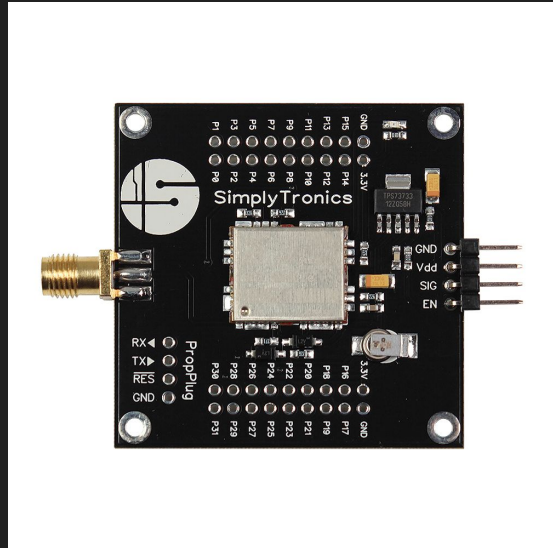
1. Speaker
2. Radio transmission

# Overall Block Diagram Design



# GPS Block Diagram

- We will use a Parallax GPS Module
- Half-duplex serial communication



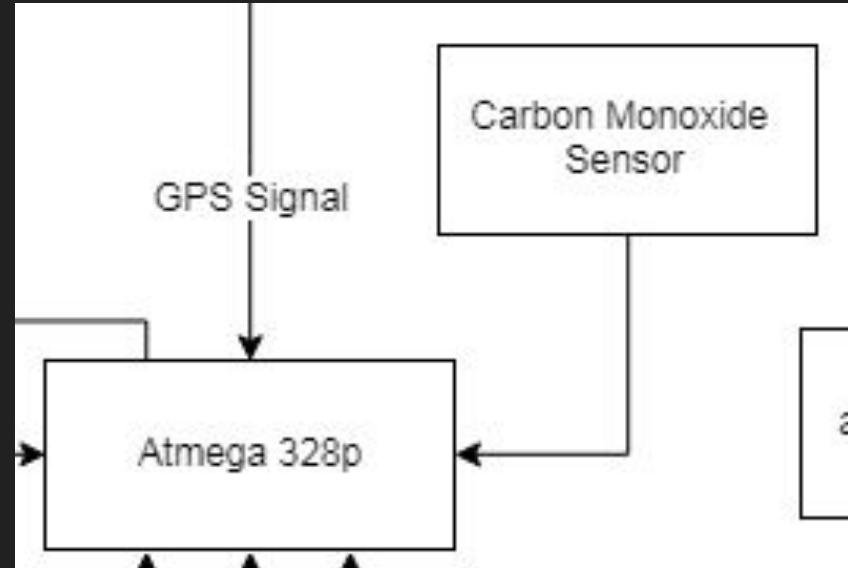
# GPS Software

- Microcontroller will issue commands for data it needs (latitude, longitude)
- GPS module will send back specific data
- General Approach:
  - Disable interrupts
  - Send command from a pin (for instance, pin 12 on Atmega328p)
  - Block and wait for response
  - Enable interrupts
- Only ask for coordinates every few seconds



# Carbon Monoxide Sensor Block Diagram

- Connect to power and ground
- Connect to an ADC pin of Atmega328p

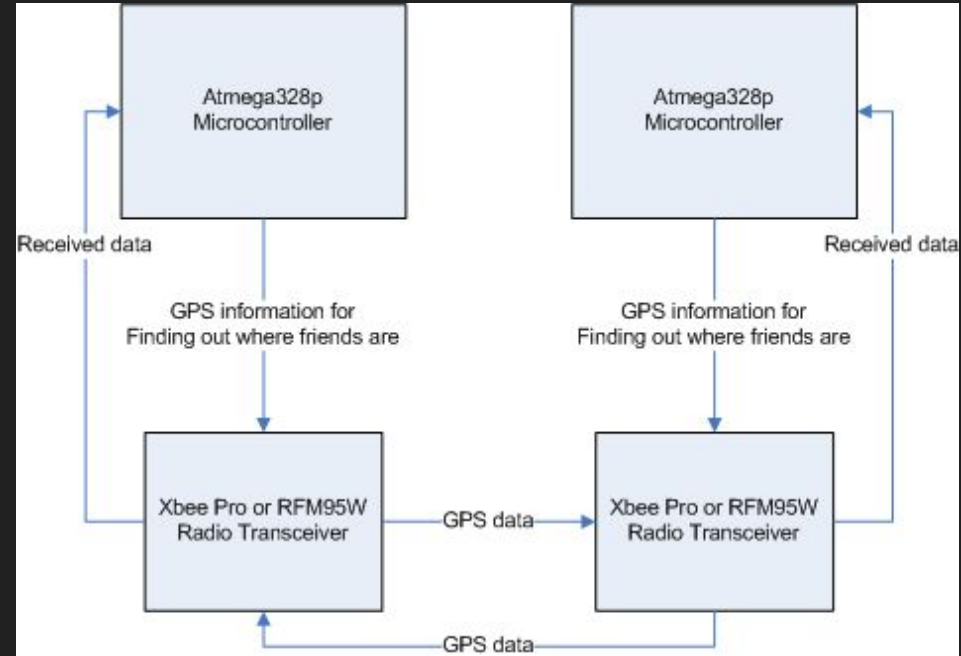


# Carbon Monoxide Sensor Software

- Microcontroller will perform analog to digital conversion of value from sensor every few seconds
- If value is above a threshold, we will issue a text-to-speech alert

# Radio Communication Block Diagram

- Radio communication has one job:
  - 1.) Send GPS information from helmet to helmet when requested to figure out other helmet's locations.

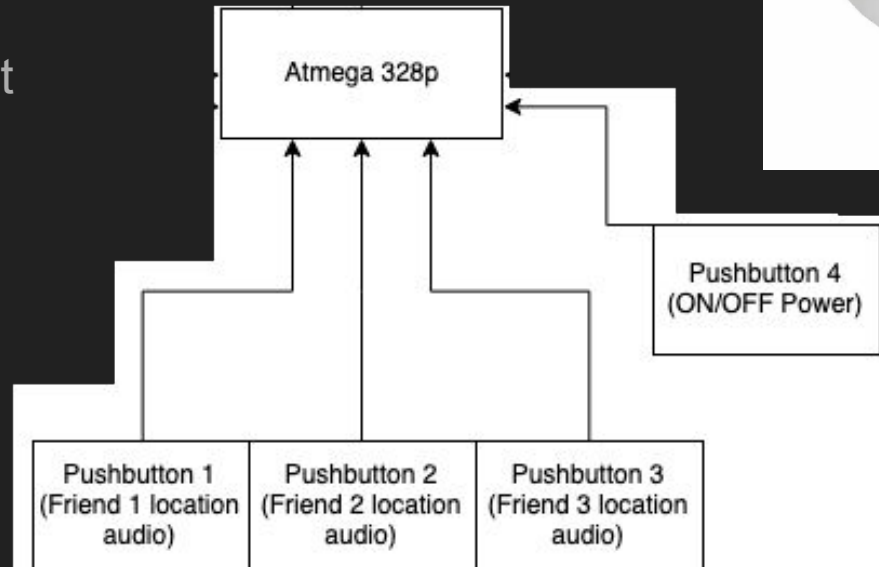


# Radio Communication Details and Software

- When the User presses the button to see where friends are, the microcontroller will initiate a request from other GPS units on other helmets.
- Synchronized Handshaking from other radio transceivers on helmets
- Interrupts enabled for when a new transmission comes in to the microcontroller to be processed
- Addressing of the packets within the network
- Time window for allowed communication and max number of attempts

# Digikey 401 Push Buttons

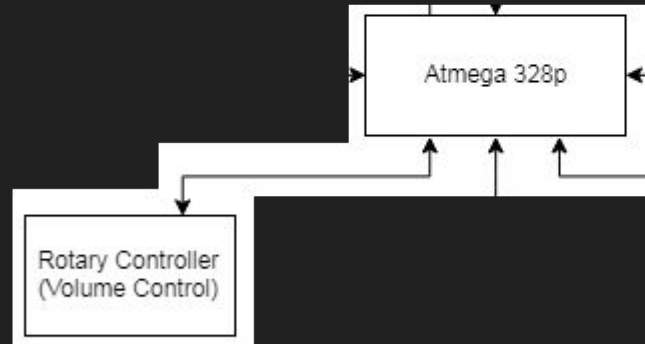
- 3 buttons to dictate which slope your friends are on
- 1 On/Off Button
- SW
- Enable Interrupt
- 



# Rotary Encoder - Digikey 3315Y-001-006L

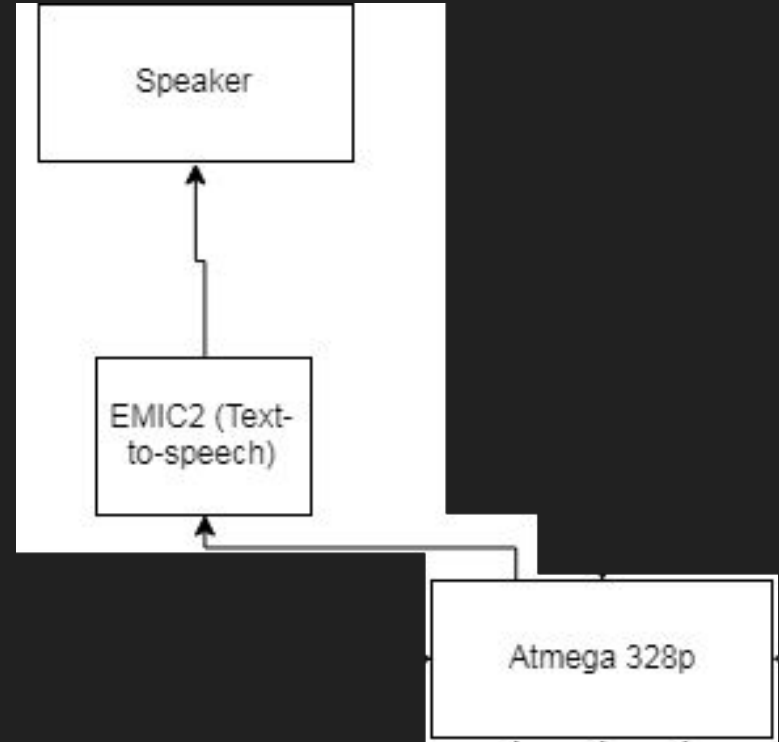
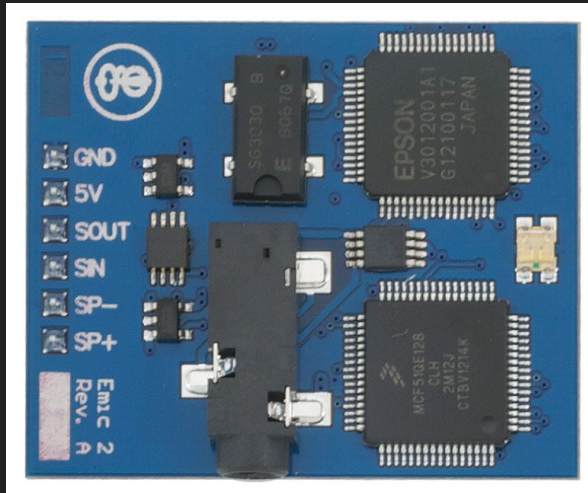
## Knob for Rotary Encoder - Jameco 290125

- Used to set volume of speaker
- Using interrupts



# Emic 2 Text-to-Speech Module

- Voice GPS location of other helmets
- Serial Interface
- Call a function to write to the serial interface when button is pressed



# Costs

Part	Quantity	Unit Price	Total Cost
Parallax GPS Module	1	34.99	34.99
Xbee Pro	2	34.00	68.00
Jameco Speaker	1	2.49	2.49
Rotary Encoder	1	3.92	3.92
Emic2 Text-to-Speech	1	59.95	59.95
CO Sensor	1	5.95	5.95
Microcontroller	1	2.00	2.00
TOTAL			177.30



# Timeline

Deadline: 4/18/19

Total time frame: 3.5 weeks

Week 1: Order parts, consider design

Week 2: Parts arrive. Split into separate components. Get everything to work individually (Xbee, GPS, Speech-to-text, CO Sensor)

Week 3: Buffer room to get everything working.

Week 4: Put it all together.

# Questions?

